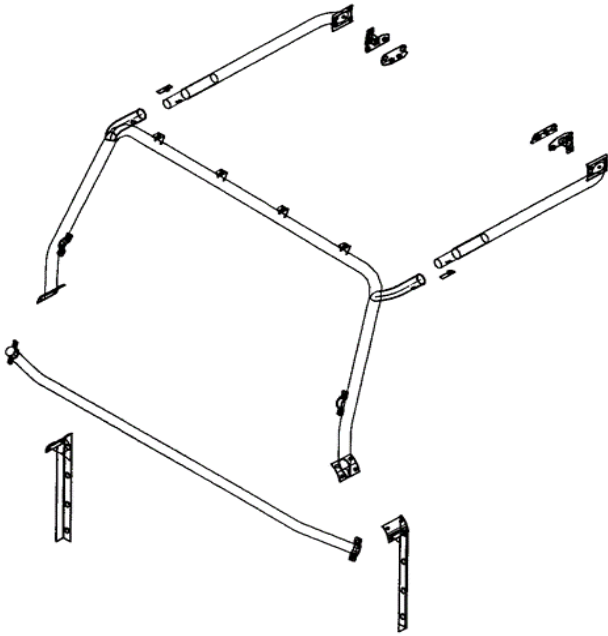
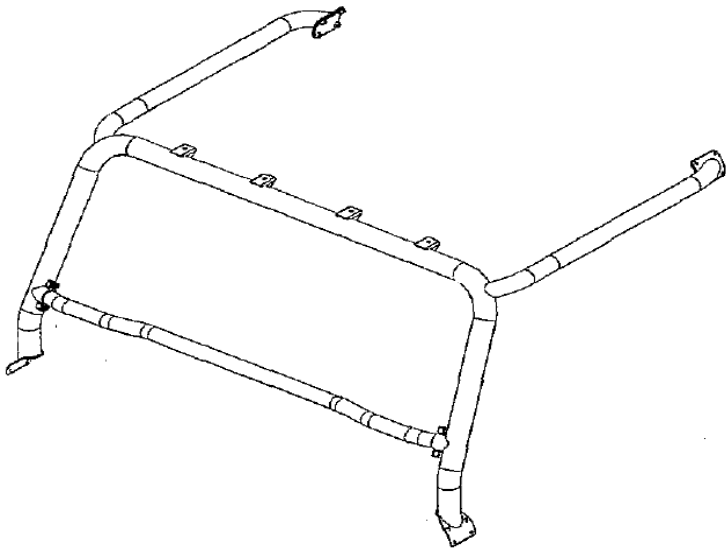




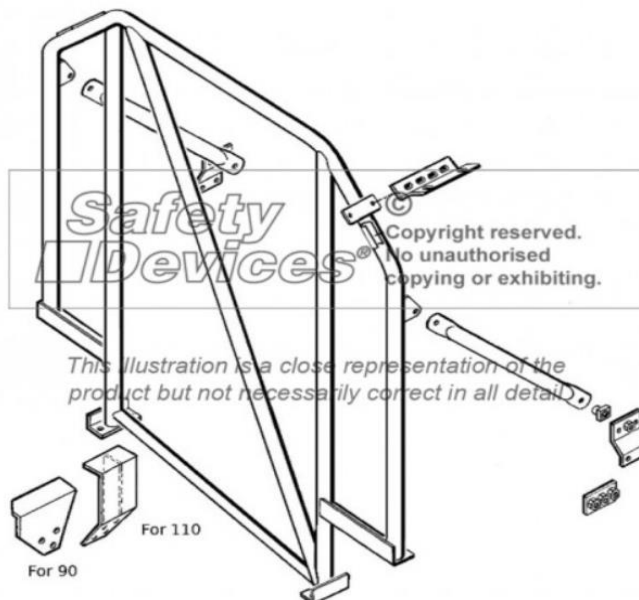
Type	Model	Page
Defender 90	Hard Top - CSW	2
	Truck Cab	7
	Soft Top	8
Defender 90/110	Defender Series 1, 2, 3 & Lightweight - Motorsport Cages	10
Defender 110	Hard Top - CSW	12
	Hard Top	14
	CSW	15
	Crew Cab / Pick-up	18
	HCPU	21
	Truck Cab / Pick-up	24
	Soft Top	25
Defender 130	Crew Cab	26
	HCPU	27
	CSW	29
Discovery	Series 2 / 5-door	30
Range Rover	4-door / Motorsport Cage / 2/4-door	30
Freelander	Series 1	31

Defender 90 Hard Top - CSW		
Part No	Description	Euro
RBL138 3SSS	External front cage - 45mm Tube	€ 726,00
A		
		
RBL230 3SSS	External front 'style bar', based on the 60th Anniversary Defender 62mm Tube Available in black, white or silver	€ 790,80
A		
		

Defender 90 Hard Top - CSW

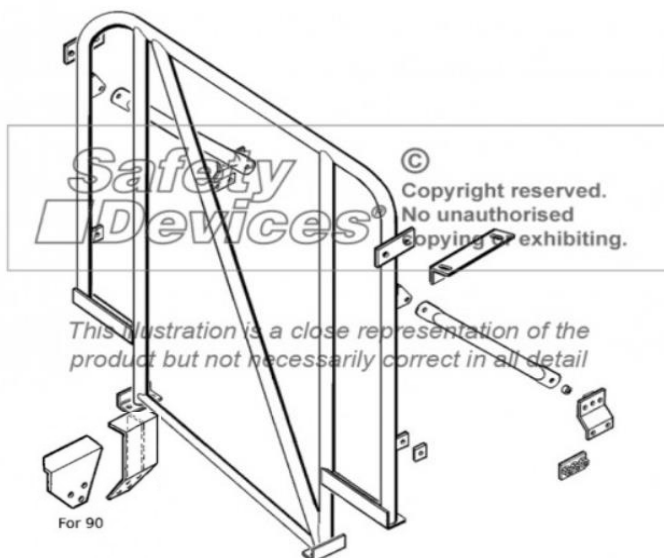
Part No	Description	Euro
RBL033 4SSS/A	Single Hoop Roll Bar without diagonal / for vehicles with Headlining	€ 538,80
RBL033 5SSS/A	Single Hoop Roll Bar with diagonal / for vehicles with Headlining	€ 585,60
RBL033 PAD	Padding kit	€ 208,80

B



RBL115 4SSS/A	Single Hoop Roll Bar without diagonal / for vehicles without Headlining	€ 538,80
RBL115 5SSS/A	Single Hoop Roll Bar with diagonal / for vehicles without Headlining	€ 585,60
RBL115 PAD	Padding Kit	€ 208,80

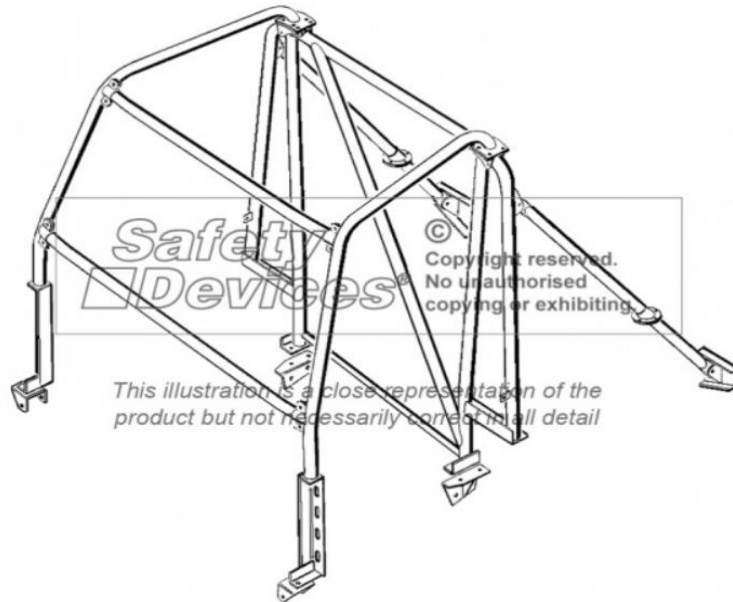
B



Defender 90 Hard Top - CSW

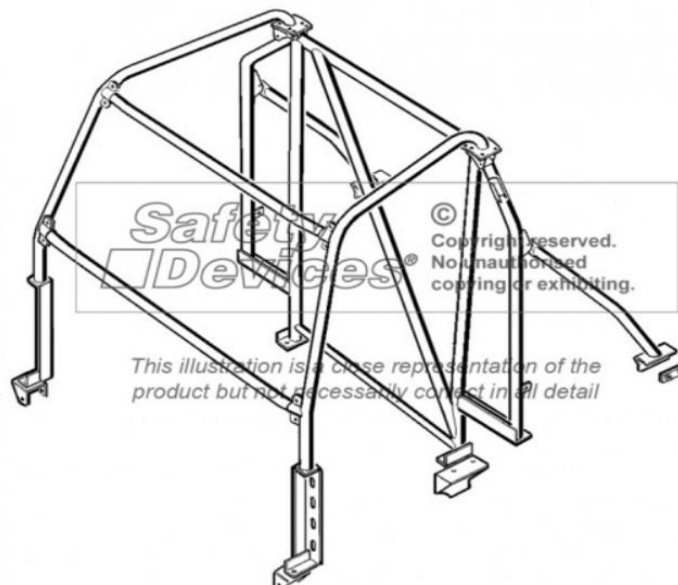
Part No	Description	Euro
RBL092 6SSS	Internal single hoop with external front legs, long back stays to rear chassis - fits without rear headlining . Camel Trophy specification roll cage	€ 991,20
RBL092 PAD	Padding kit	€ 208,80

A



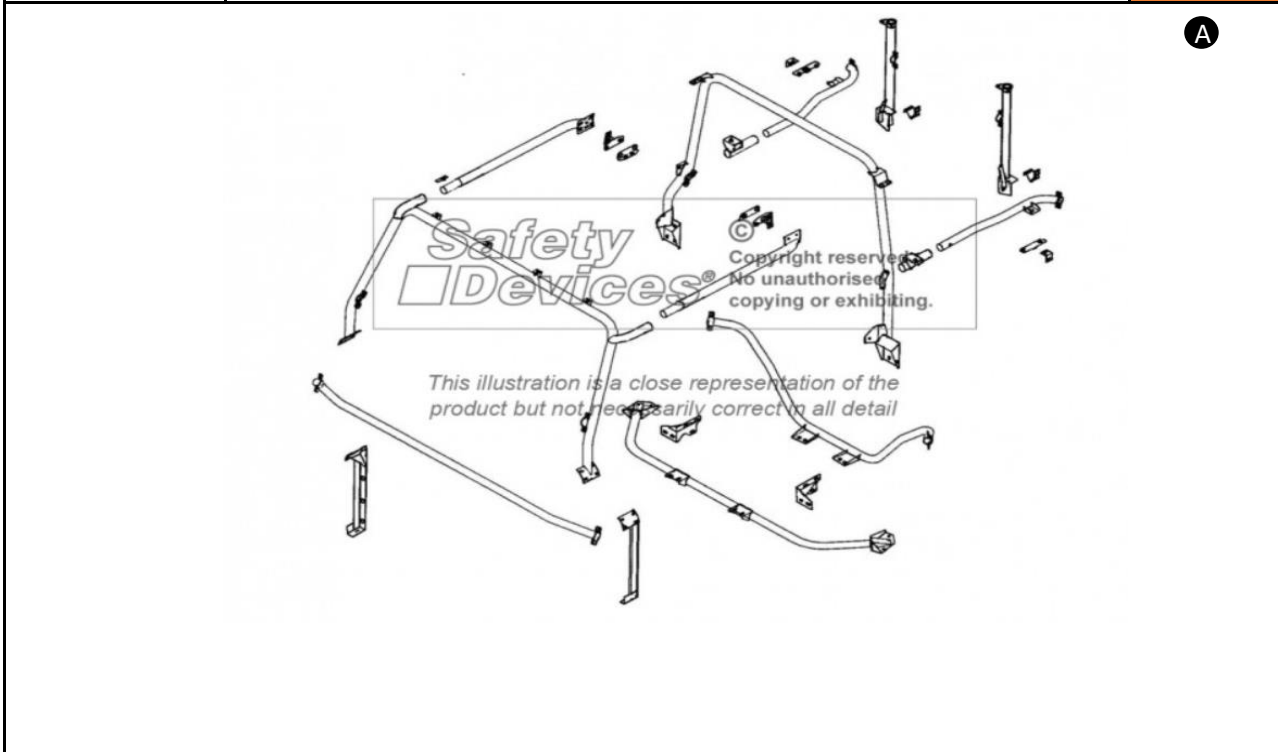
RBL142 7SSS	Internal single hoop with external front legs, short back stays - fits with full headlining and rear seats	€ 976,80
RBL142 PAD	Padding kit	€ 208,80

A

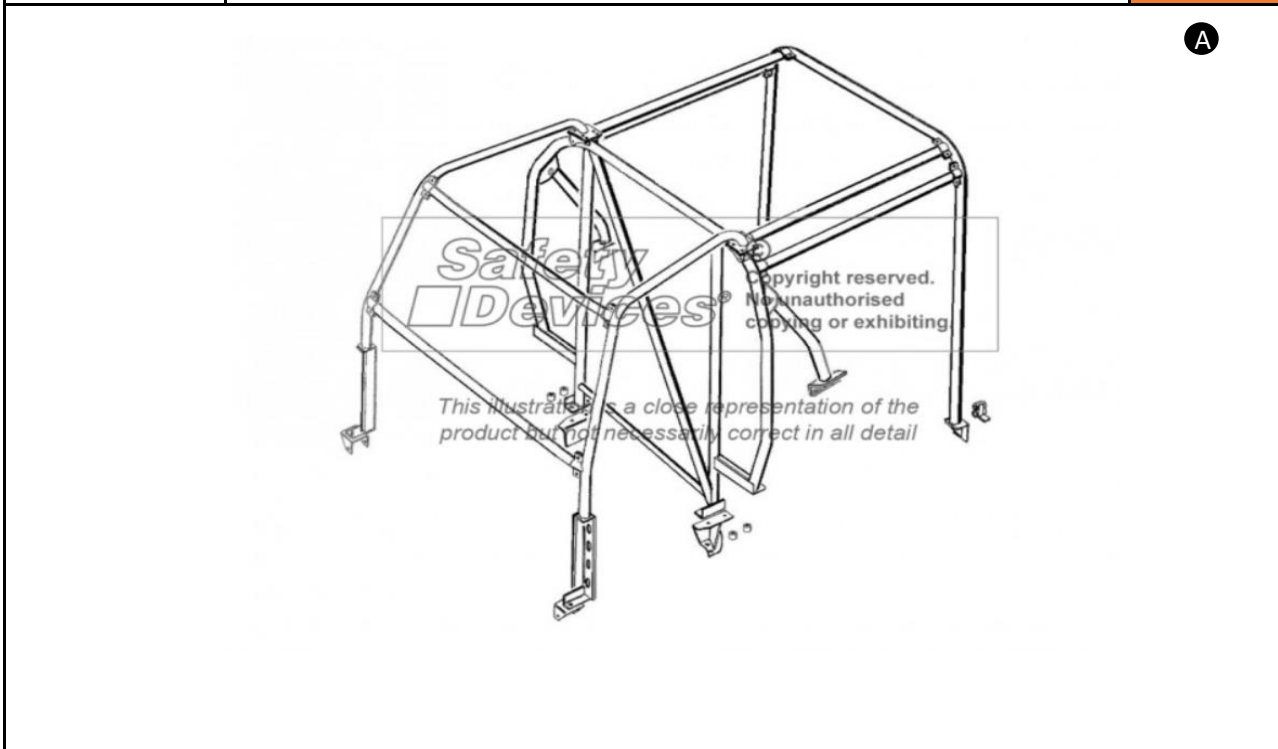


Defender 90 Hard Top - CSW

Part No	Description	Euro
RBL138 7SSS	External front ant internal rear cage	€ 1.218,00
RBL138 PAD	Padding kit	€ 100,80

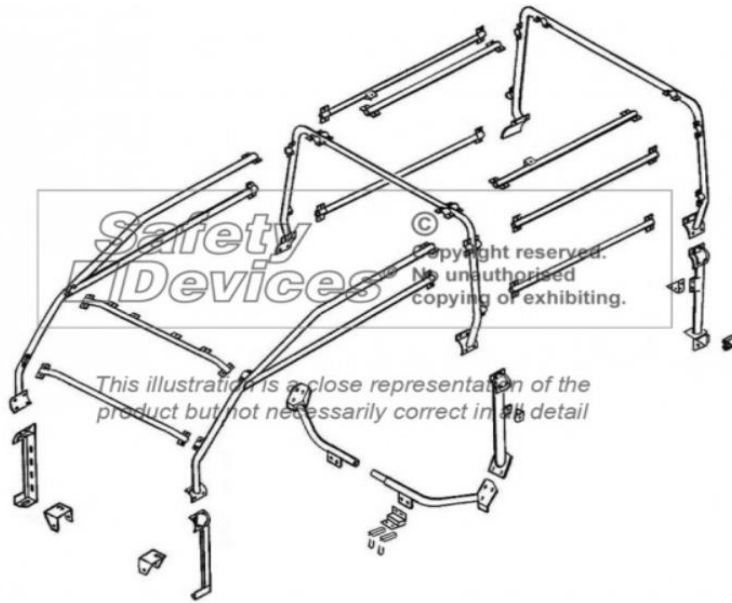


RBL181 7SSS	Internal 'B' & 'D' post hoob, ext. Front legs. Similar to L142, with short back stays - additional D post hoop and cant rails. Fits with Headlining	€ 1.275,60
RBL181 PAD	Padding kit	€ 417,60



Defender 90 Hard Top - CSW

Part No	Description	Euro
RBL108 7SSN	Full External Roll Cage with bulkhead	€ 1.740,00

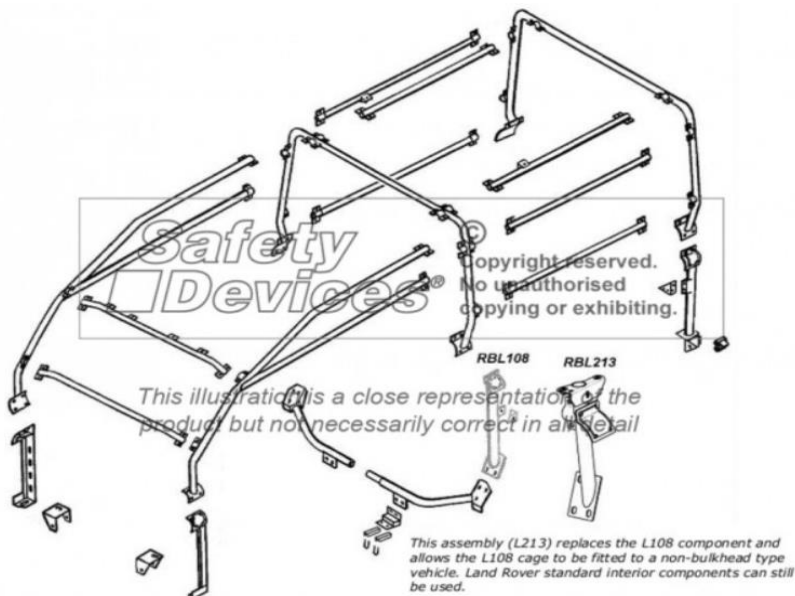


OPTIONAL: **A**

RBL052
A rear ladder mounted from roll cage and Land Rover lower chassis mounting points.

€ 238,80

RBL213 7SSS	Full External Roll Cage without bulkhead	€ 1.752,00
--------------------	---	-------------------



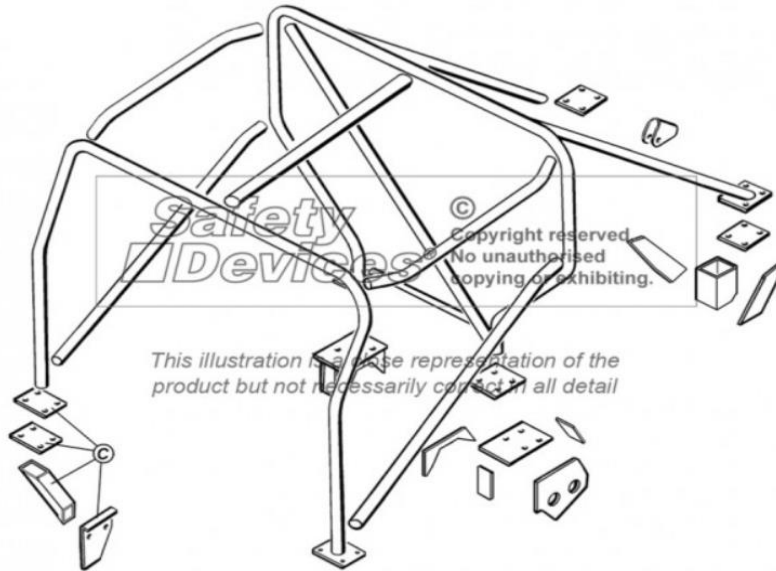
OPTIONAL: **A**

RBL052
A rear ladder mounted from roll cage and Land Rover lower chassis mounting points.

€ 238,80

Defender 90 Hard Top - CSW

Part No	Description	Euro
RBL167 7SSS	CDS Full Internal Competition weld-in roll cage	€ 957,60
RBL167 PAD	Padding kit	€ 278,40



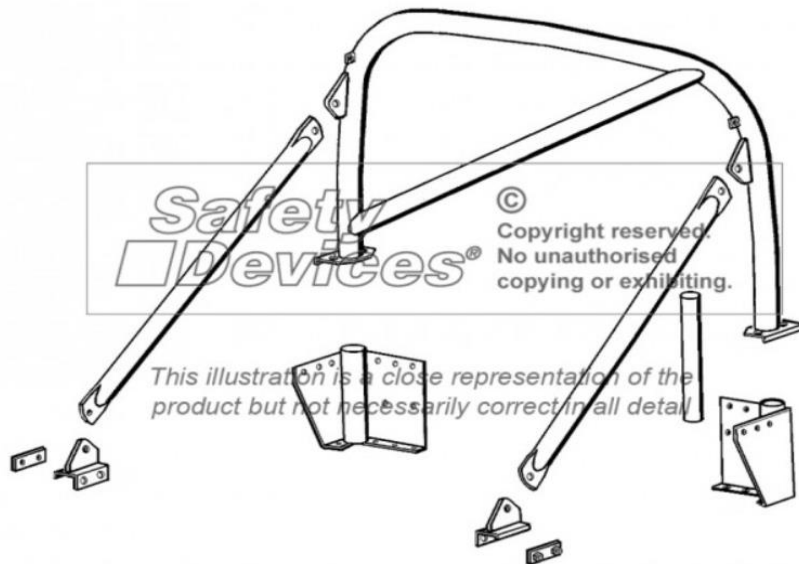
RBL 138 3SSS



Defender 90 Truck Cab

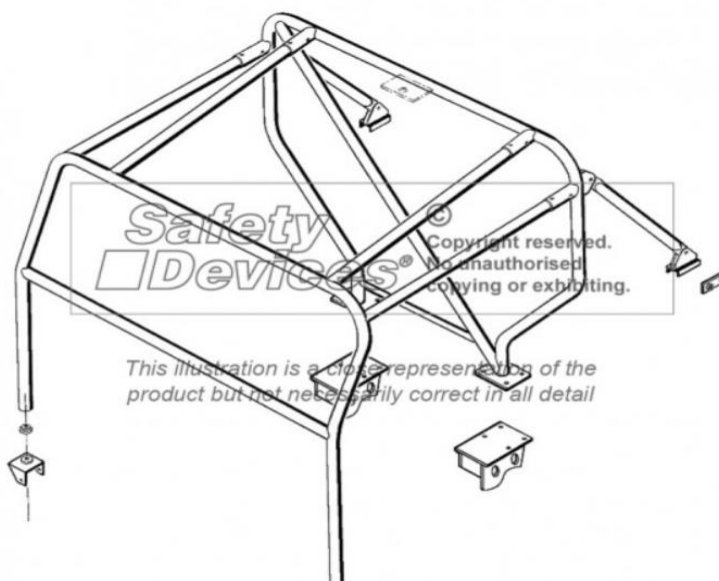
Part No	Description	Euro
RBL111 4SNS	Rear Military Style Hoop 2" without diagonal. Mounts through cappings into corner brackets. Backstays go to waist rail cappings	€ 578,40
RBL111 5SNS	Rear Military Style Hoop 2" with diagonal. Mounts through cappings into corner brackets. Backstays go to waist rail cappings	€ 625,20

B



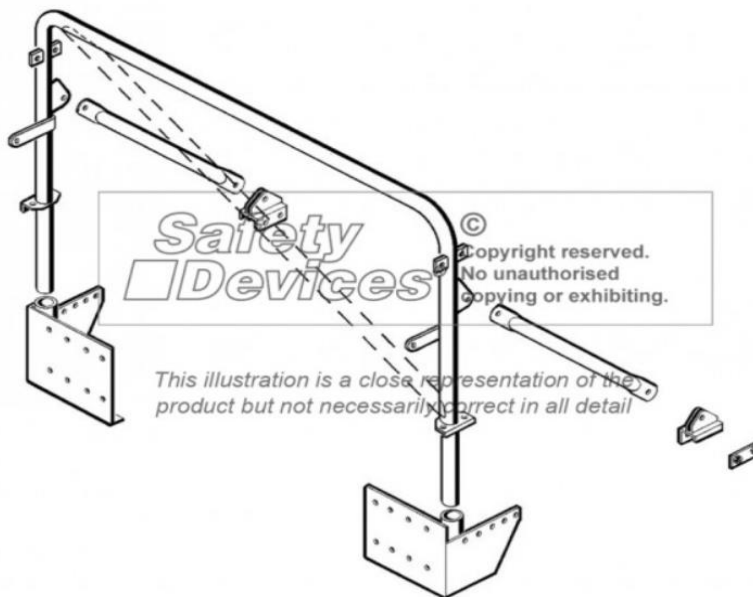
RBL153 7SSS/A	Truck Cab External CDS Cage 2" tube waist rail backstays	€ 1.222,80
---------------	--	------------

B

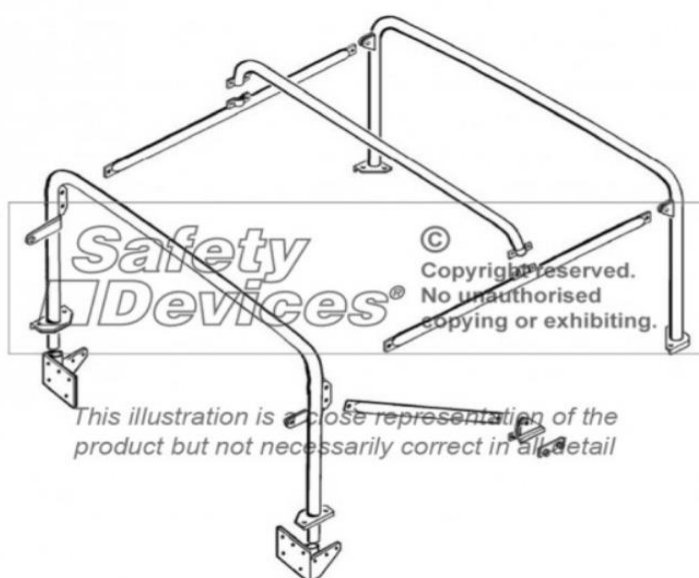


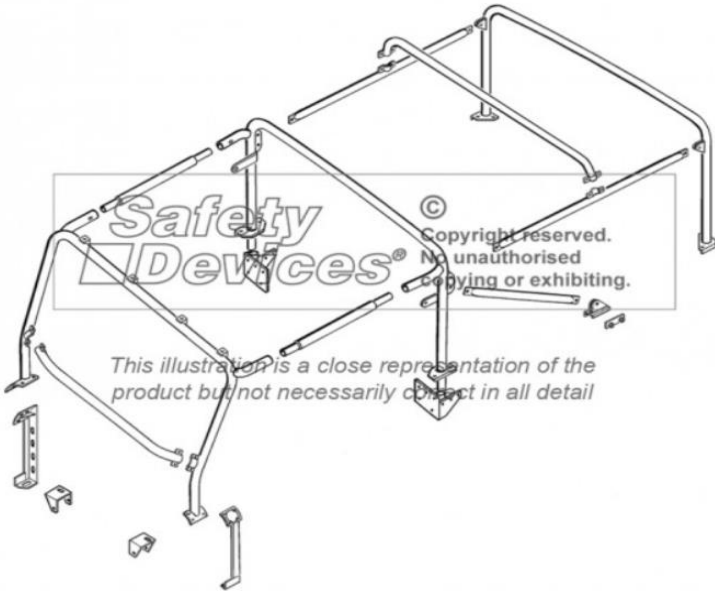

Defender 90 Soft Top

Part No	Description	Euro
RBL122 4SNS	Rear Military Style Hoop 2" without diagonal. Mounts through cappings into corner brackets. Backstays go to waist rail cappings. Front seatbelt shoulder anchor points	€ 598,80
RBL122 5SNS	Rear Military Style Hoop 2" with diagonal. Mounts through cappings into corner brackets. Backstays go to waist rail cappings. Front seatbelt shoulder anchor points	€ 645,60
RBL122 PAD	Padding kit	€ 139,20



RBL169 7SSS	Full External Rear Cage to replace original hoodsticks 45mm tubediameter, single diagonal, backstays to waist rail includes front seat belt anchor points	€ 1.008,00
RBL169 PAD	Padding kit	€ 348,00

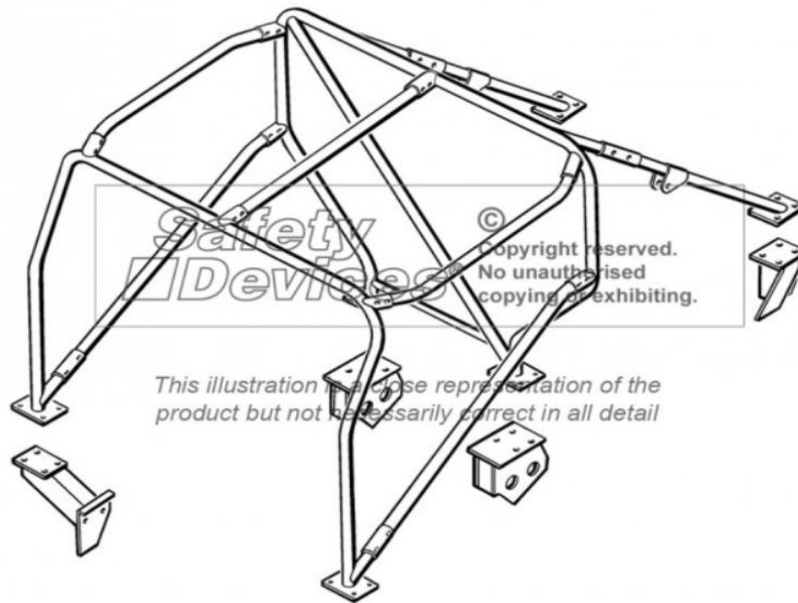


Defender 90 Soft Top		
Part No	Description	Euro
RBL188 6SSS	External / Internal roll cage, utilising hood which need modification, front legs are NAS style	€ 1.494,00
RBL188 PAD	Padding kit	€ 348,00
		
RBL236 7SSS	Full External Rear Cage Exmoortrim Hood available for this cage	€ 1.380,00
RBL236 PAD	Padding kit	€ 208,80
		

Defender 90/110 Defender Series 1, 2, 3 & Lightweight - Motorsport Cages

Part No	Description	Euro
RBL151 6SSS	Defender 90 6-point Full Internal MSA/FIA/ARC/AWDC Spec. Cage	€ 1.257,60
RBL151 PAD	Padding kit	€ 278,40

©

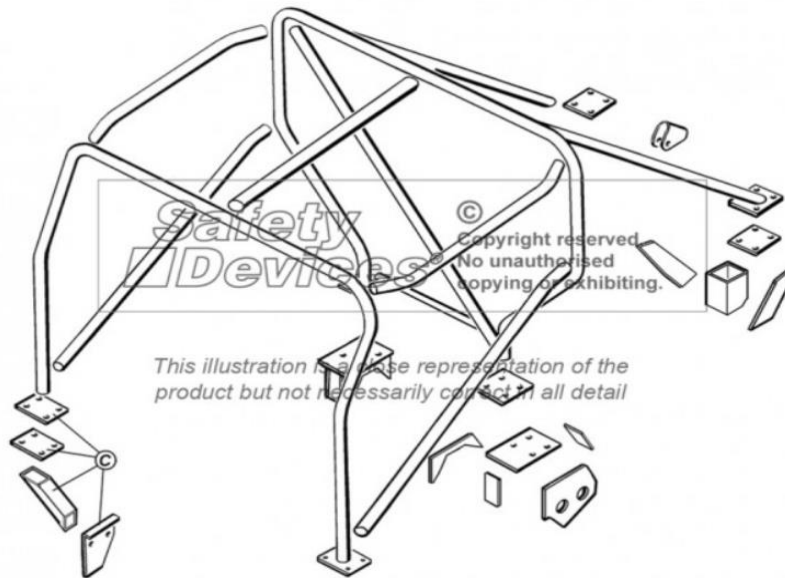


RBL 151 6SSS



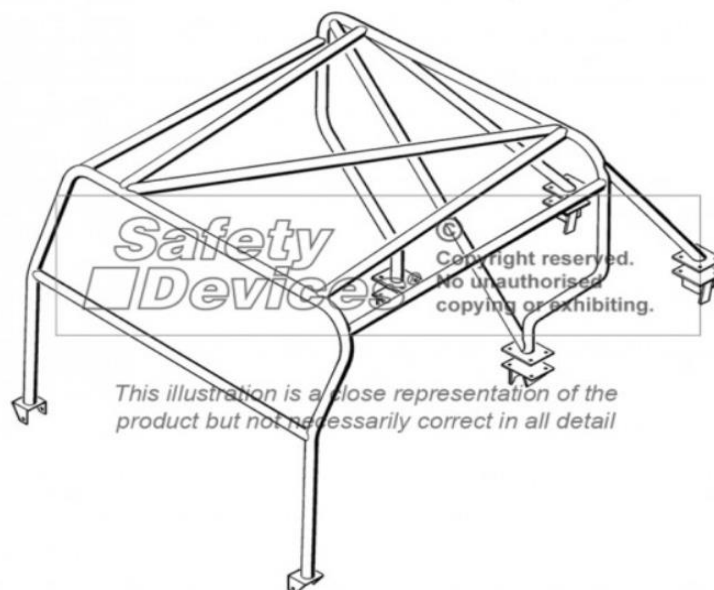
Defender 90/110 Defender Series 1, 2, 3 & Lightweight - Motorsport Cages		
Part No	Description	Euro
RBL167 7SSS	Defender 90 Internal Weld-in kit (Hard Top/CSW/Soft Top)	€ 957,60
RBL167 PAD	Padding kit	€ 278,40

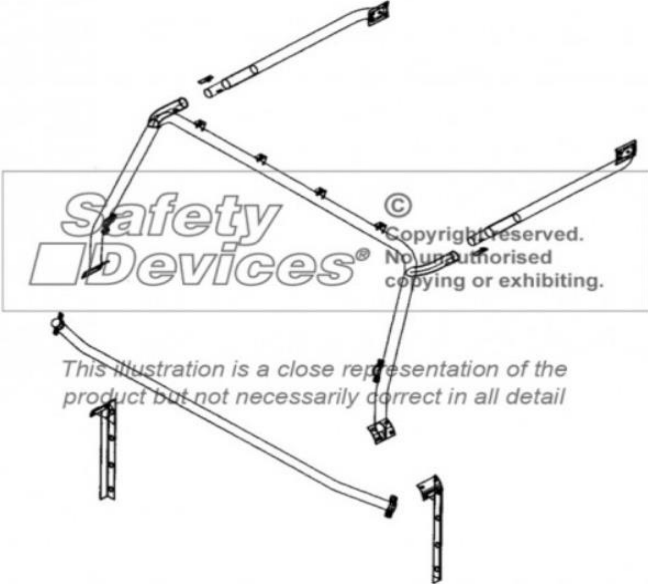
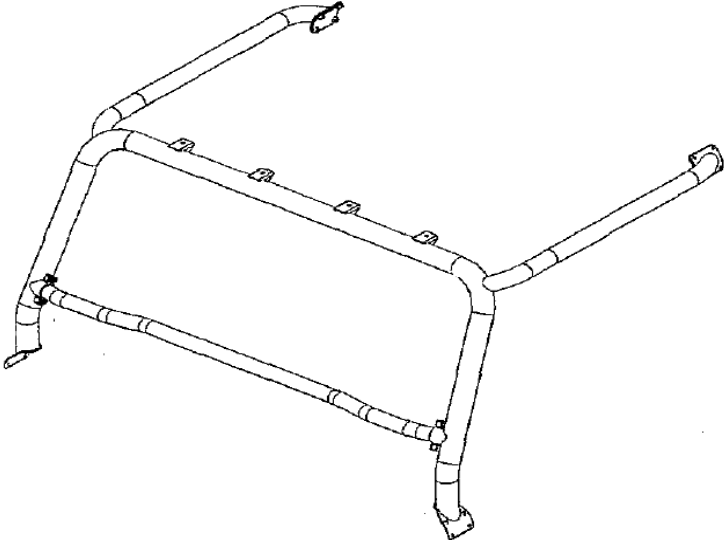
©

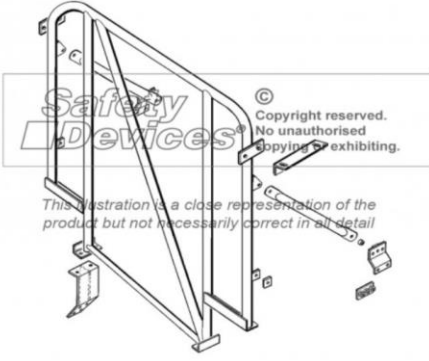
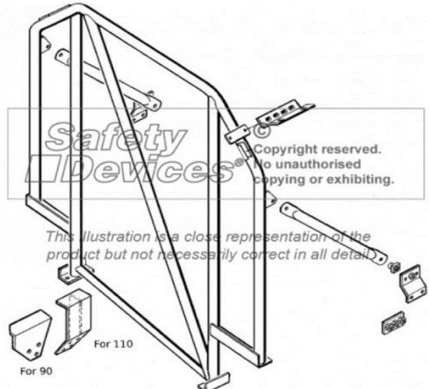



RBL139 6SSS	Defender 90 External Weld-in kit (Truck Cab/Soft Top)	€ 1.117,20
--------------------	---	------------

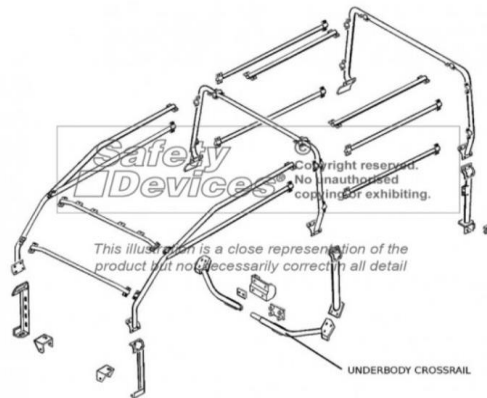
©



Defender 110 Hard Top & CSW		
Part No	Description	Euro
RBL138 3SSS	External front cage - fits Hard Top and CSW (Defender 90 & 110)	€ 726,00
A		
 <p><i>This illustration is a close representation of the product but not necessarily correct in all detail</i></p>		
RBL230 3SSS	External front 'style bar', based on the 60th Anniversary Defender Available in black, white or silver	€ 790,80
A		
		

Defender 110 Hard Top & CSW		
Part No	Description	Euro
RBL115 4SSS/B	Single Hoop Roll Bar without diagonal / for vehicles without Headlining	€ 538,80
RBL115 5SSS/B	Single Hoop Roll Bar with diagonal / for vehicles without Headlining	€ 604,80
RBL115 PAD	Padding Kit	€ 208,80
		B
RBL033 4SSS/B	Single Hoop Roll Bar without diagonal / for vehicles with Headlining	€ 538,80
RBL033 5SSS/B	Single Hoop Roll Bar with diagonal / for vehicles with Headlining	€ 585,60
RBL033 PAD	Padding Kit	€ 208,80
		B
RBL255 7SSS	4 point bolt-in internal rear 'half' roll cage. Suitable for newer Defender 110 (Puma) with high backed / bench seats.	€ 946,80
RBL255 PAD	Padding Kit	€ 487,20
		A

Defender 110 Hard Top		
Part No	Description	Euro
RBL190 7SSS	Full external NAS spec cage	€ 1.801,20



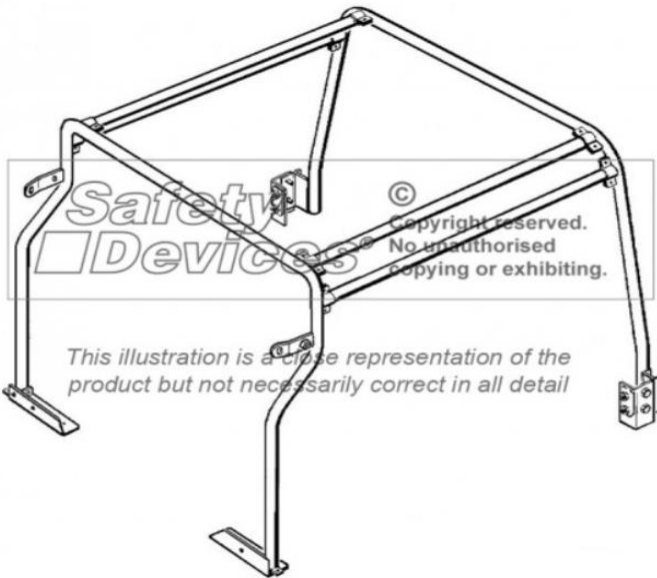
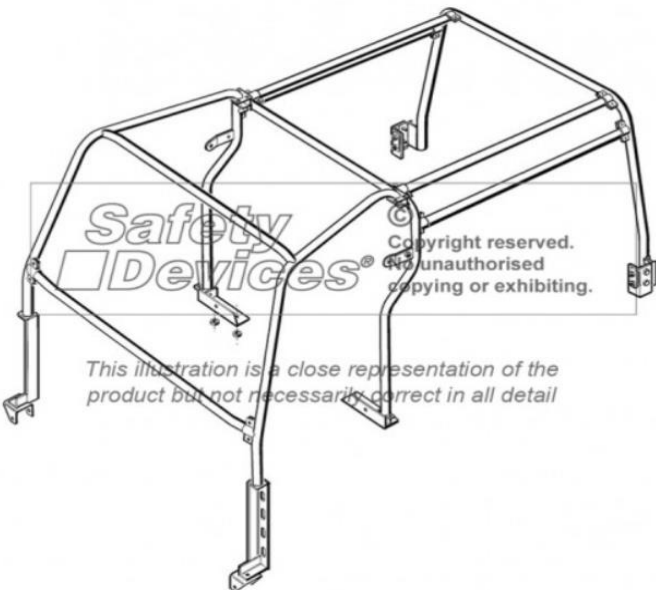
OPTIONAL: **A**

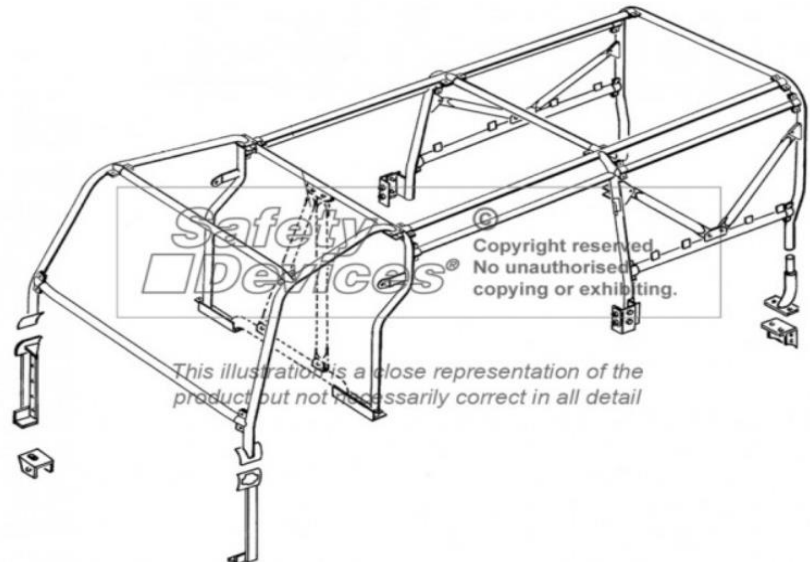
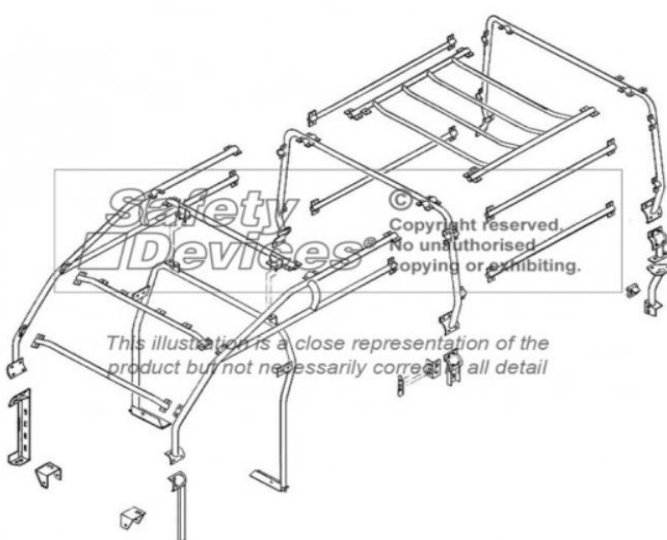

RBL052
A rear ladder mounted from roll cage and Land Rover lower chassis mounting points.

€ 238,80

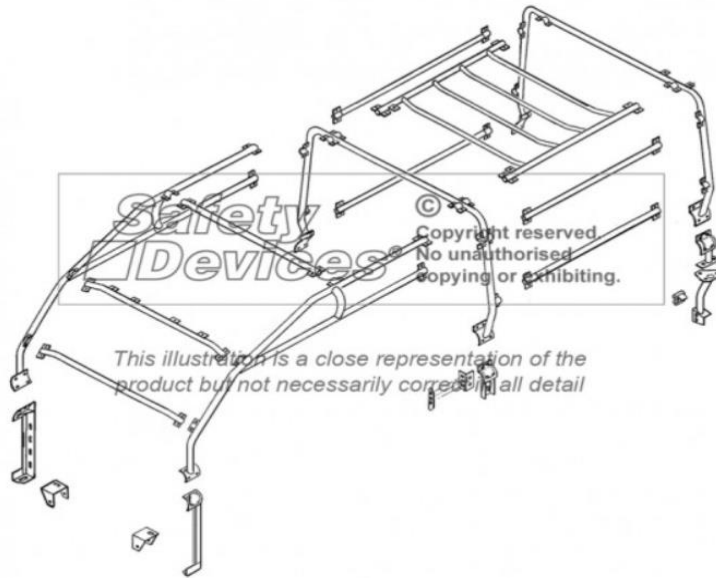
RBL 190 7SSS



Defender 110 CSW		
Part No	Description	Euro
RBL011 7SSS	Internal 'Half' roll cage	€ 814,80
RBL011 PAD	Padding Kit	€ 430,80
A		
		
RBL148 7SSS	Internal 'Half' roll cage with external front legs	€ 1.225,20
RBL148 PAD	Padding Kit	€ 430,80
A		
		

Defender 110 CSW		
Part No	Description	Euro
RBL183 7SSS	Internal/external cage, similar to RBL109 but with NAS front underwing mounts	€ 1.874,40
RBL183 PAD	Padding kit	€ 709,20
A		
 <p>Copyright reserved. No unauthorised copying or exhibiting.</p> <p>This illustration is a close representation of the product but not necessarily correct in all detail</p>		
RBL172 7SSS	Full External Roll Cage European version of NAS 110 (RBL037)	€ 1.894,80
RBL172 PAD	Padding kit	€ 139,20
A		
 <p>Copyright reserved. No unauthorised copying or exhibiting.</p> <p>This illustration is a close representation of the product but not necessarily correct in all detail</p>		
		<p>OPTIONAL:</p> <p>RBL052 A rear ladder mounted from roll cage and Land Rover lower chassis mounting points.</p>  <p>€ 238,80</p>

Defender 110 CSW		
Part No	Description	Euro
RBL242 7SSS	Full Extern Roll / TUV approved - Without Internal Hoop	€ 1.800,00



OPTIONAL: **A**

RBL052
A rear ladder mounted from roll cage and Land Rover lower chassis mounting points.

€ 238,80

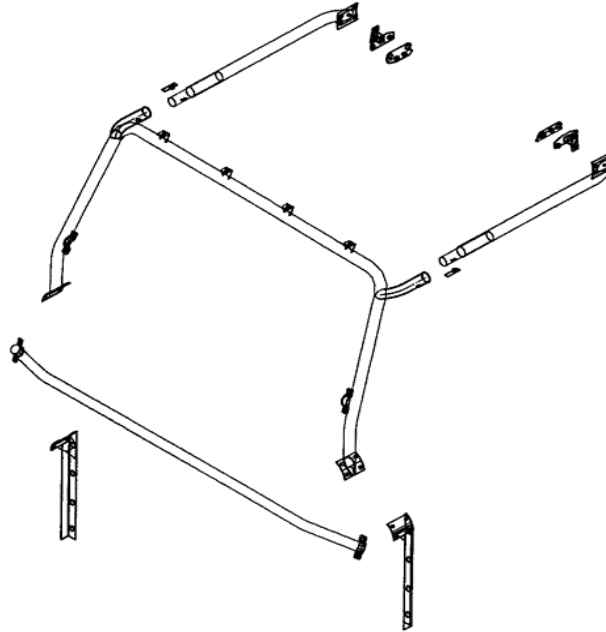
RBL 242 7SSS



Defender 110 Crew Cab / Pick-Up

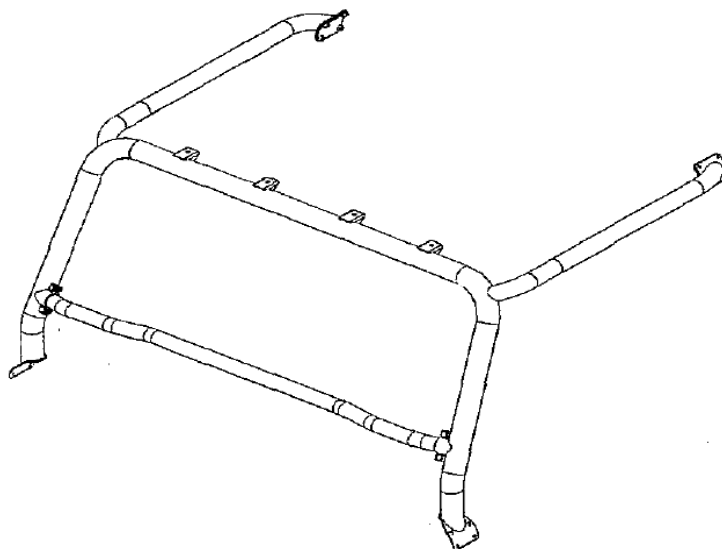
Part No	Description	Euro
RBL138 3SSS	External front cage - 45mm Tube	€ 726,00

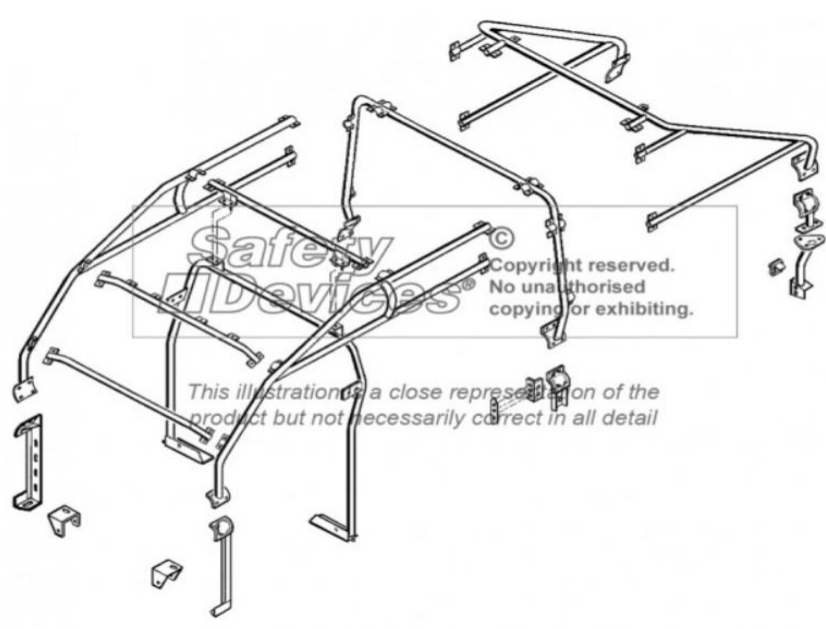
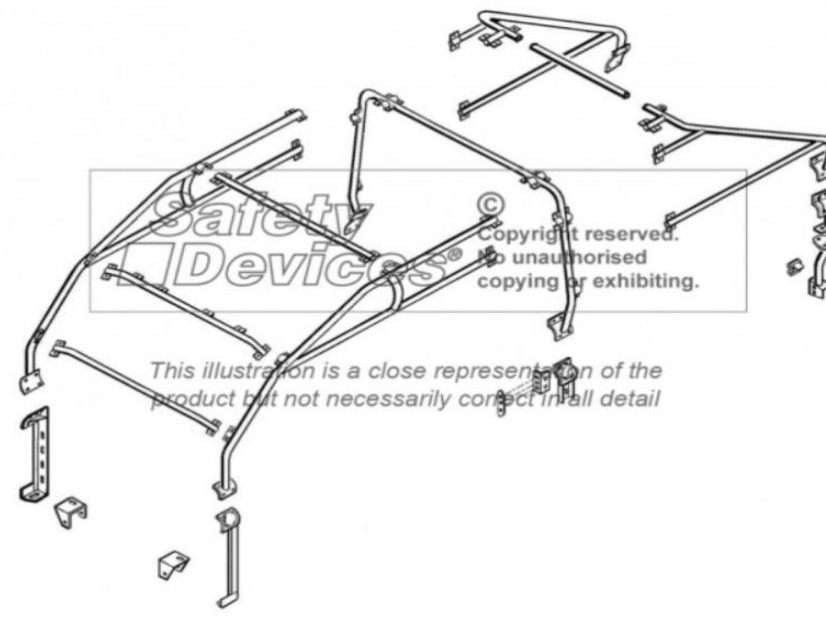
A

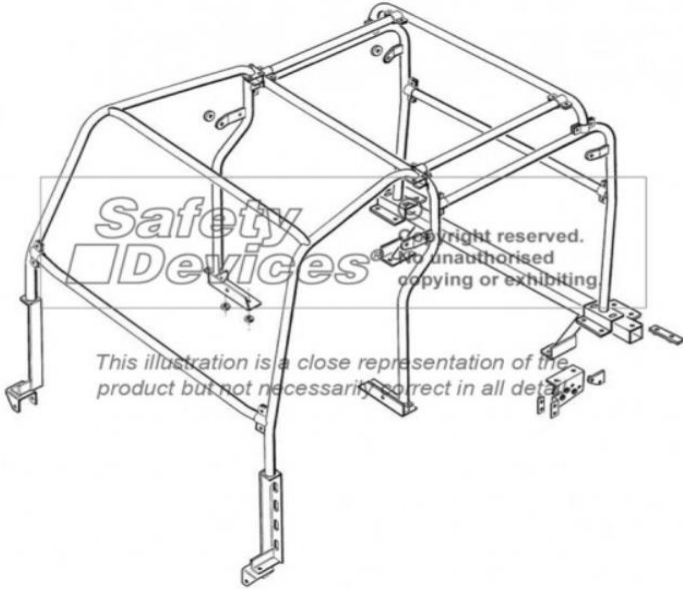
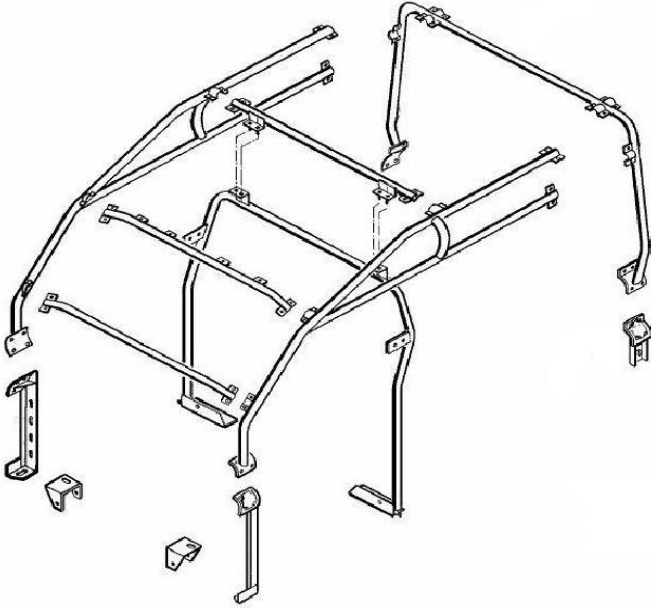


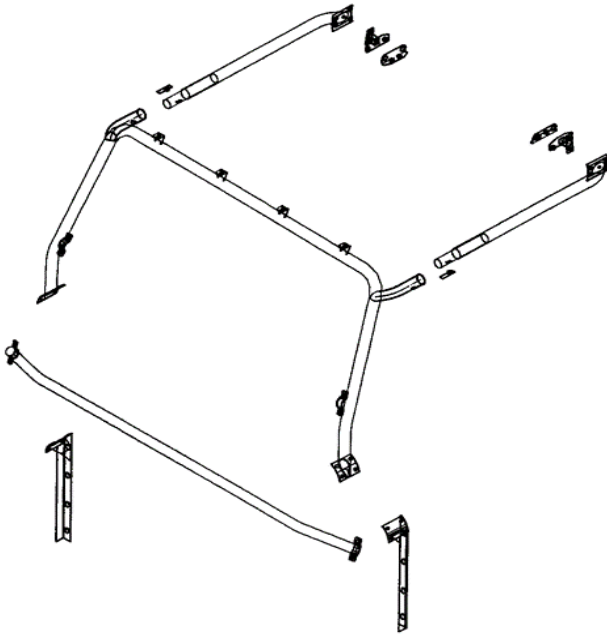
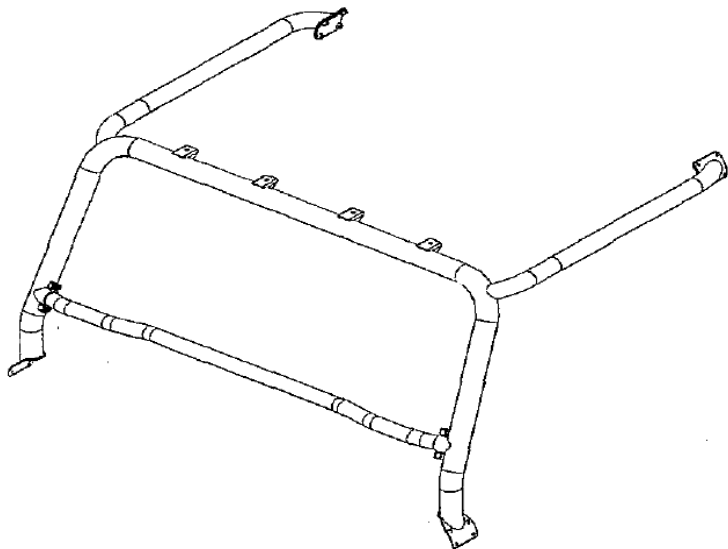
RBL230 3SSS	External front 'style bar', based on the 60th Anniversary Defender Available in black, white or silver	€ 790,80
-------------	---	----------

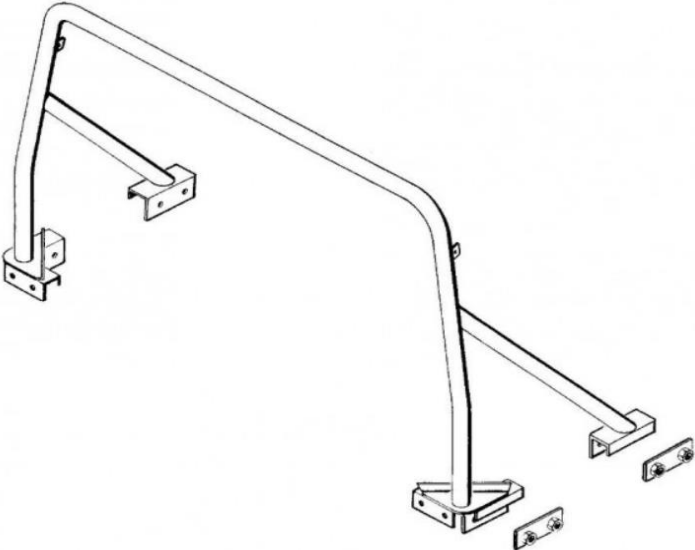
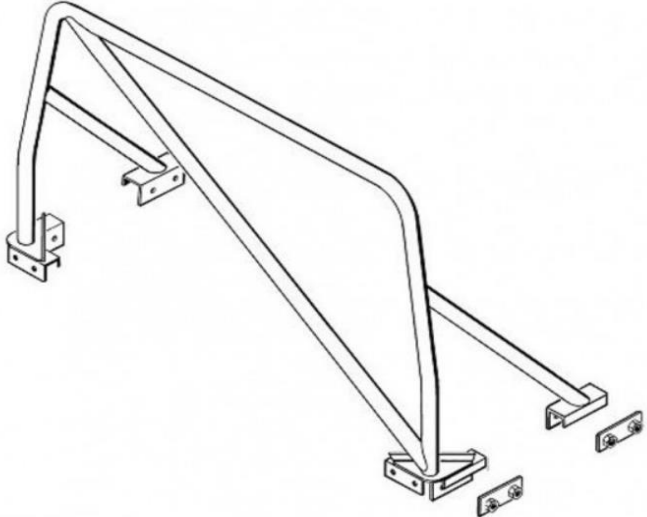
A



Defender 110 Crew Cab / Pick-Up		
Part No	Description	Euro
RBL185 7SSS	Full External NAS Specification roll cage. Backstays configured to enable original tilt to be utilised	€ 1.855,20
RBL185 PAD	Padding kit	€ 139,20
A		
		
RBL243 7SSS	Full External NAS Specification roll cage. Backstays configured to enable original tilt to be utilised - without Internal Hoop - TUV Approved	€ 1.764,00
A		
		

Defender 110 Crew Cab / Pick-Up		
Part No	Description	Euro
RBL205 7SSS	Internal / External Roll Cage	€ 1.234,80
RBL205 PAD	Padding kit	€ 208,80
		B
RBL227 7SSS	3/4 External cage with Internal Hoop	€ 1.535,00
RBL227 PAD	Padding kit	€ 140,00
		B

Defender 110 HCPU		
Part No	Description	Euro
RBL138 3SSS	External front cage - 45mm Tube	€ 726,00
		A
RBL230 3SSS	External front 'style bar', based on the 60th Anniversary Defender Available in black, white or silver	€ 790,80
		A

Defender 110 HCPU		
Part No	Description	Euro
RBL010 4SSS	Rear Bolt-on bar - no diagonal	€ 472,80
		(B)
RBL010 5SSS	Rear Bolt-on bar - fixed diagonal	€ 519,60
<p>Left hand and right hand available</p>		(B)

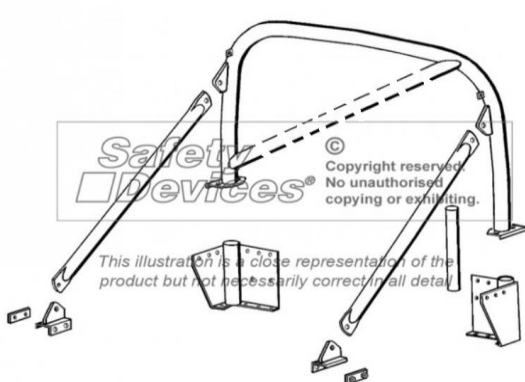
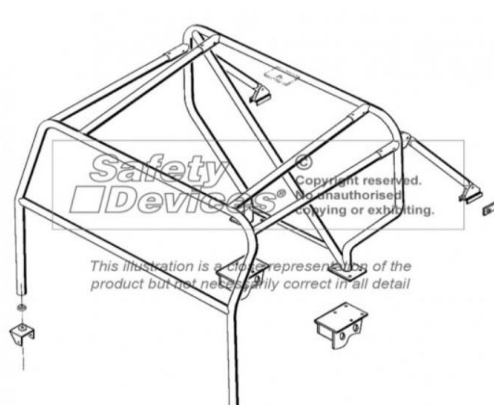
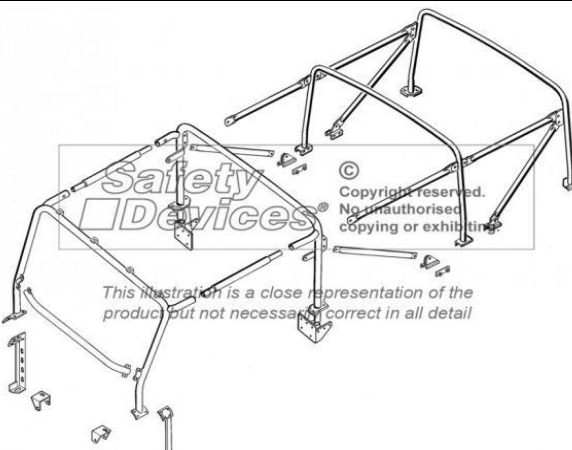
Defender 110 HCPU	
Part No	Description
RBL211 7SSS	Full External Roll Cage for TD5 model - HCPU only
	€ 1.150,80

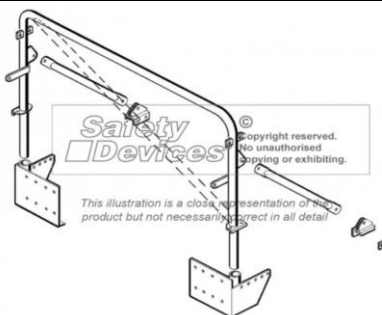
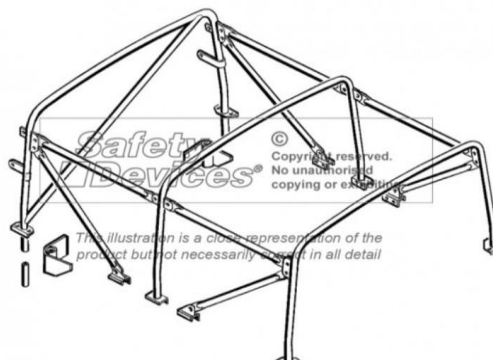

B

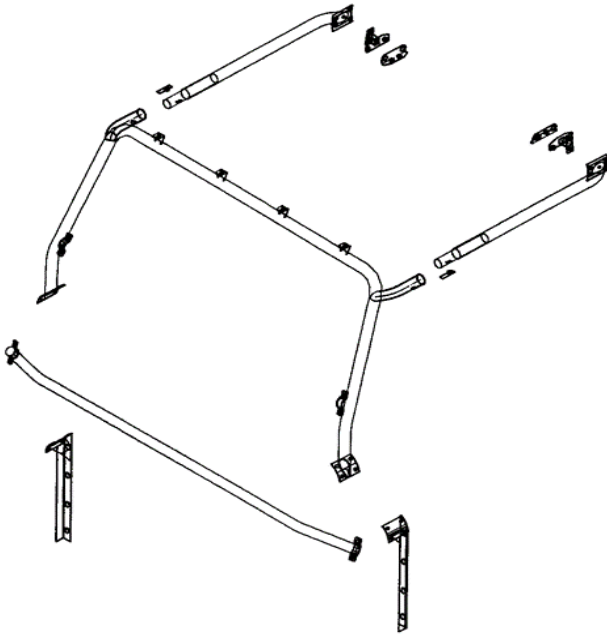
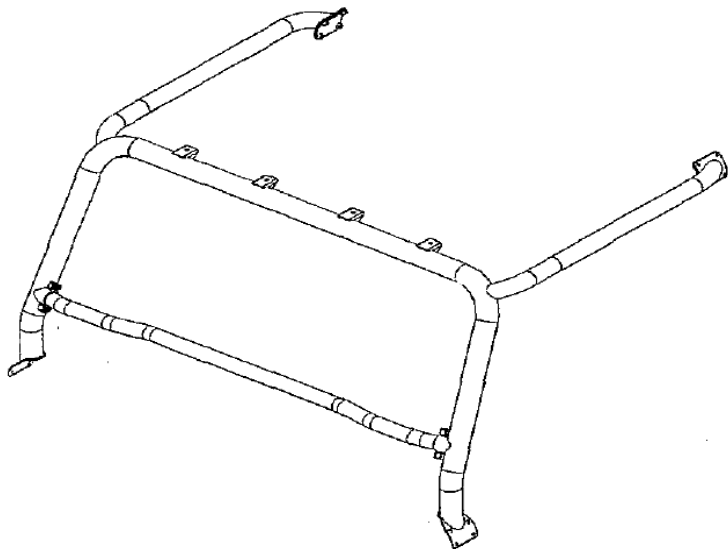


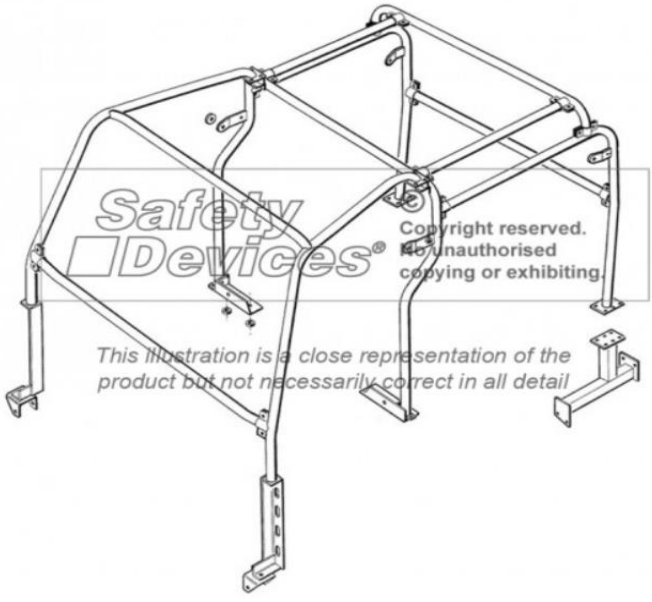
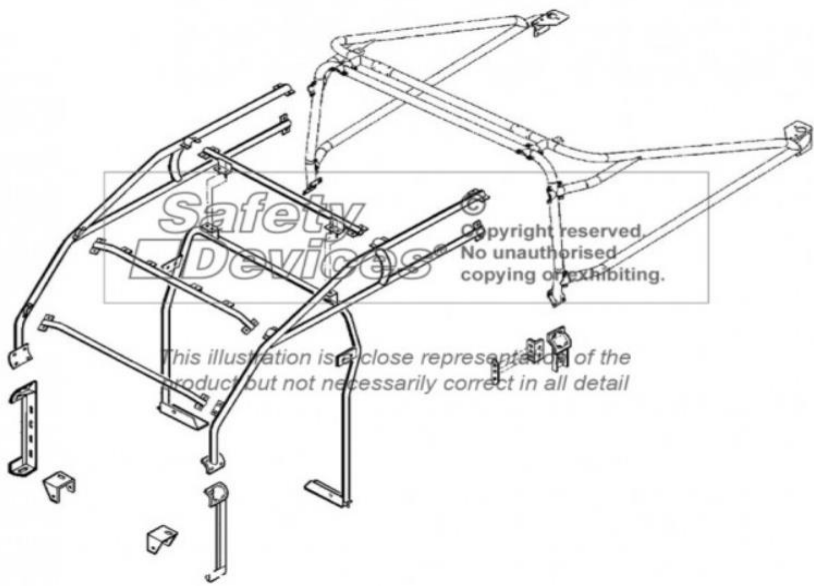
RBL 211 7SSS

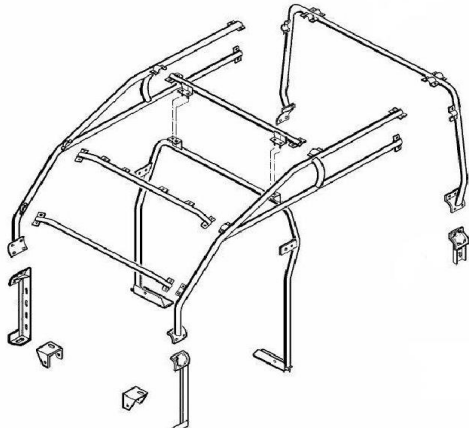




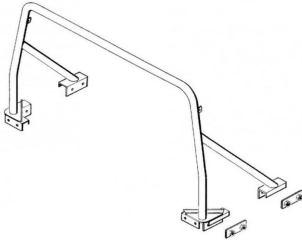
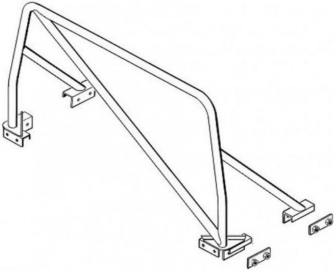


Defender 110 Truck Cab / Pick-Up		
Part No	Description	Euro
RBL111 4SNS	Rear Military Style Hoop 2" without diagonal. Mounts through cappings into corner brackets. Backstays go to waist rail cappings.	€ 578,40
RBL111 5SNS	Rear Military Style Hoop 2" with diagonal. Mounts through cappings into corner brackets. Backstays go to waist rail cappings.	€ 681,75
 <p style="text-align: center;"> Safety Devices® © Copyright reserved. No unauthorised copying or exhibiting. This illustration is a close representation of the product but not necessarily correct in all detail </p>		B
RBL153 7SSS/B	Full External Turck Cab Roll Cage - 2" Tube waist rail backstays.	€ 1.222,80
 <p style="text-align: center;"> Safety Devices® © Copyright reserved. No unauthorised copying or exhibiting. This illustration is a close representation of the product but not necessarily correct in all detail </p>		B
RBL250 7SSS	8 point multi-point external/internal bolt-in roll cage (external front, internal rear). Utilises existing hood which will need modification. Front legs are NAS style.	€ 1.748,40
RBL250 PAD	Padding kit	€ 487,20
 <p style="text-align: center;"> Safety Devices® © Copyright reserved. No unauthorised copying or exhibiting. This illustration is a close representation of the product but not necessarily correct in all detail </p>		A

Defender 110 Soft Top		
Part No	Description	Euro
RBL122 4SNS	Rear Military Style Hoop 2" without diagonal. Mounts through cappings into corner brackets. Backstays go to waist rail cappings. Mounts at seatbelt points.	€ 598,80
RBL122 5SNS	Rear Military Style Hoop 2" with diagonal. Mounts through cappings into corner brackets. Backstays go to waist rail cappings. Mounts at seatbelt points.	€ 645,60
RBL122 PAD	Padding kit	€ 139,20
		A
RBL098 7SSS	Full internal Rear Cage to fit under 110 rear hood effectively replacing hoodsticks.	€ 1.260,00
RBL098 PAD	Padding kit	€ 487,20
		A
RBL244 7SSS	Heavy Duty hood stick set, to completely replace soft-top hood sticks. 45mm tube diameter, no diagonal, backstays to waist rail, includes front belt anchor points.	€ 1.620,00
RBL244 PAD	Padding kit	€ 348,00
		A

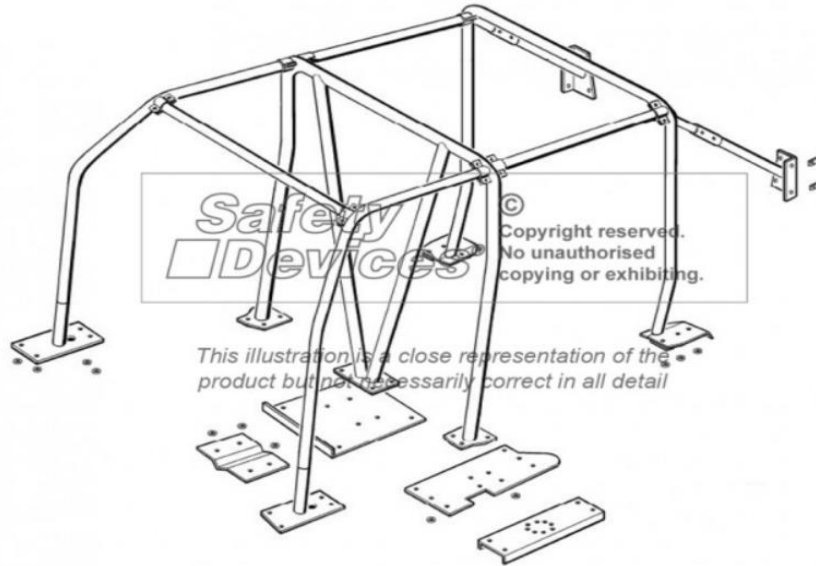
Defender 130 Crew Cab		
Part No	Description	Euro
RBL138 3SSS	External front cage - 45mm Tube	€ 726,00
		A
RBL230 3SSS	External front 'style bar', based on the 60th Anniversary Defender Available in black, white or silver	€ 790,80
		A

Defender 130 Double Cab - HCPU		
Part No	Description	Euro
RBL075 3SSS	Front External roll cage (cannot be installed without rear section)	€ 698,40
RBL075 5SSS	Rear Internal roll cage (can be installed without rear section)	€ 651,60
RBL075 7SSS	Rear Internal roll cage (can be installed without rear section)	€ 1.296,00
RBL075 PAD	Padding kit	€ 430,80
A		
		
RBL247 7SSS	Full External roll cage with Internal Hoop	€ 1.834,80
RBL247 PAD	Padding kit	€ 139,20
A		
		

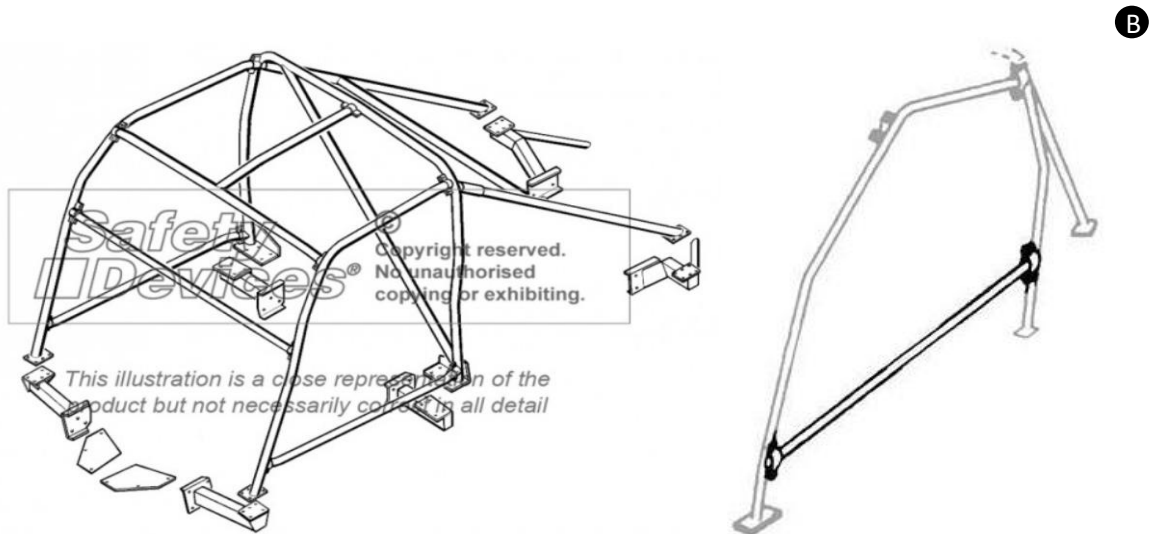
Defender 130 Double Cab - HCPU		
Part No	Description	Euro
RBL227 7SSS	3/4 External cage with Internal Hoop	€ 1.535,00
RBL227 PAD	Padding kit	€ 140,00
		B
RBL258 7SSS	8 point bolt-in internal / external bolt in roll cage with internal B Hoop	€ 1.914,00
RBL258 PAD	Padding kit	€ 139,20
		A
Defender 130 HCPU		
RBL260 7SSS	6 point multi-point full external bolt-in roll cage. The rear provides sufficient clearance to allow the original rear canvas to be left in place if so desired.	€ 1.675,20
		A

Defender 130 HCPU		
Part No	Description	Euro
RBL010 4SSS	Rear Bolt-on roll bar - no diagonal	€ 472,80
		Ⓑ
RBL010 5SSS	Rear Bolt-on roll bar - fixed diagonal	€ 519,60
Left hand and right hand available		Ⓑ
RBL259 7SSS	6 Point bolt-in external bolt in roll cage. For high capacity pickup with rear tembo hard top	€ 1.754,40
Defender 130 CSW		Ⓐ
Part No	Description	Euro
RBL249 7SSS	6 point bolt-in full external / internal roll cage. (As per L172, but with longer rear section)	€ 1.975,20
RBL249 PAD	Padding kit	€ 139,20
		Ⓐ

Discovery Series 2		
Part No	Description	Euro
RBL216 7SSS	Full Internal Cage - 5dr TD5. The front legs go through the air vents	€ 1.696,50



Range Rover 4-door / Motorsport Cage / 2/4-door		
Part No	Description	Euro
RBL117 3SSU	Front Cage	€ 558,00
RBL117 5SSU	Rear Cage (fixed diagonal)	€ 738,00
RBL117 DSUN	Unique single door bar N/S	€ 87,60
RBL117 DSUO	Unique single door bar O/S	€ 87,60



Freelander Series 1

Part No	Description	Euro
RBL150 7SMU	5-door Competition Cage. FIA Homologated	€ 1.010,40

